



Alamo Rock Tool, Inc.

P.O. Box 171241 ❖ San Antonio, TX 78217

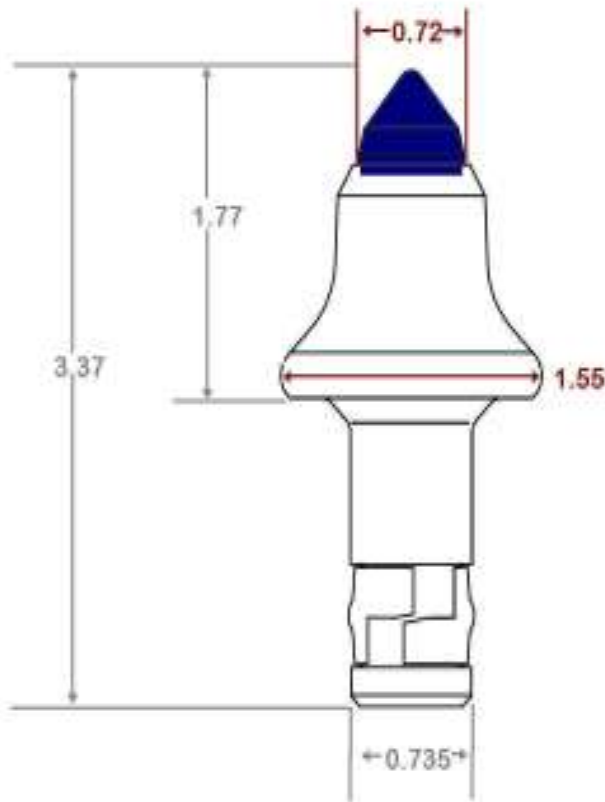
(210) 607-8445

Alamorocktoolsinc@gmail.com

For All Your Rock Cutting Needs!



AR-735CBF



CAP CARBIDE TIPS

Cap carbide tips have a valve-seat braze joint for increased strength and shear resistance. The tips provide excellent penetration, and the large carbide shoulder gives excellent protection against steel wash.



Standard Box: 50 Pcs.